

TRIO

Hinged Pilaster System THP



TRIO

Hinged Pilaster System THP

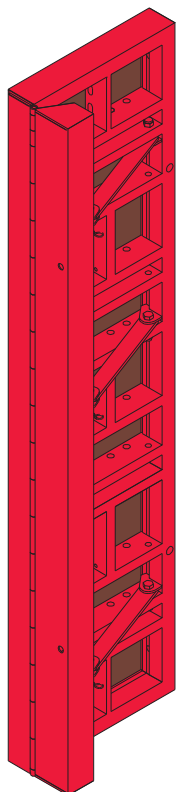
TRIO Hinged Pilaster Panels THP can be used for simple and quick forming of any concrete pilaster.

This system can form pilasters with a maximum width of 24" and a depth of 18". The TRIO Hinged Pilaster Panel THP can be adjusted in 2" increments without the use of ties.

With only 3 standard panels any height can be formed in 2" increments.

THP 270/9'

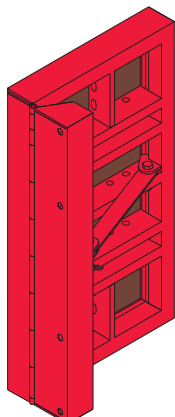
Item no.: 105998
Weight lbs.: 359



270/9'

THP 120/4'

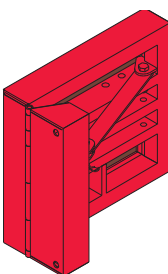
Item no.: 106001
Weight lbs.: 156



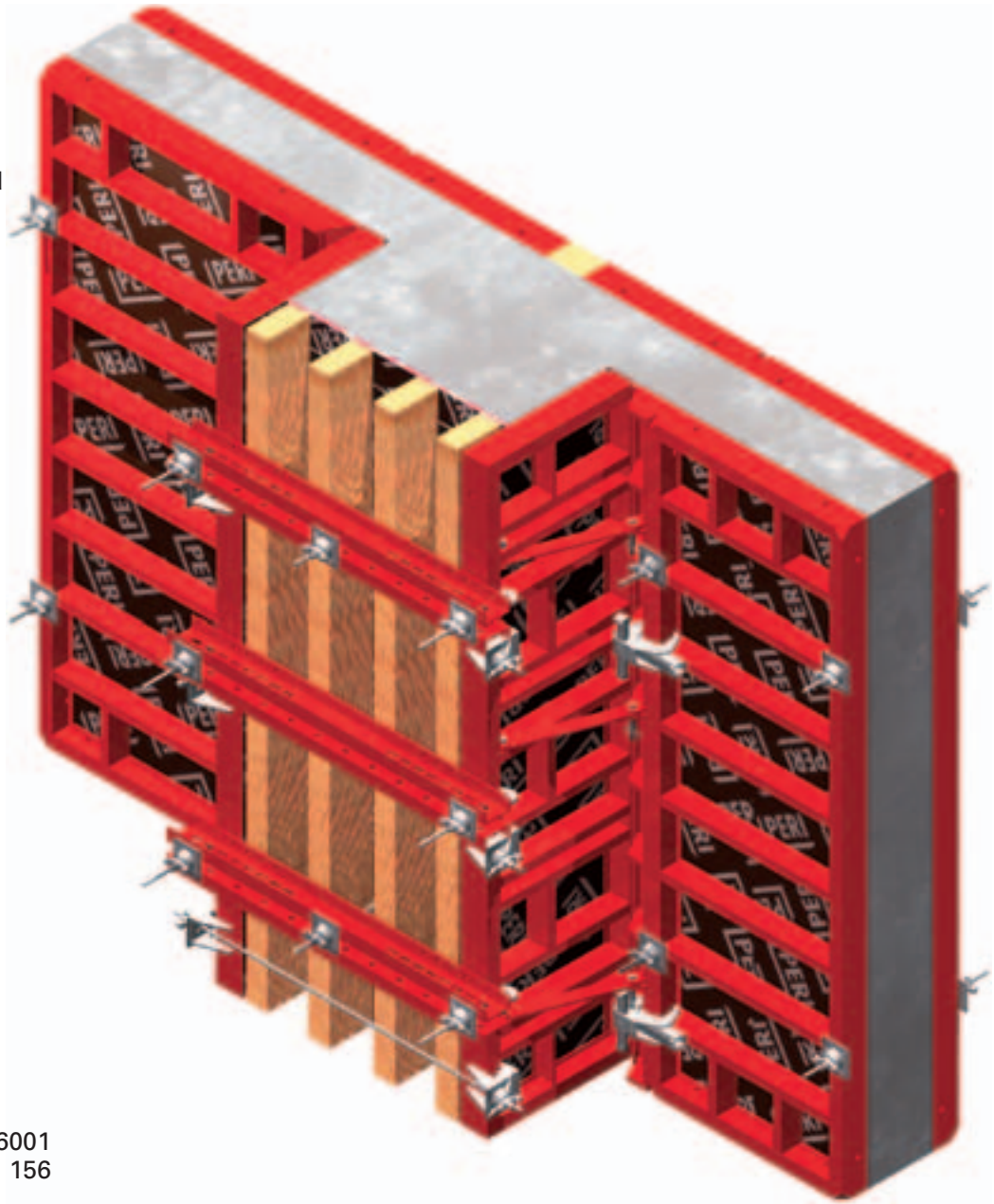
120/4'

THP 120/4'

Item no.: 105969
Weight lbs.: 110



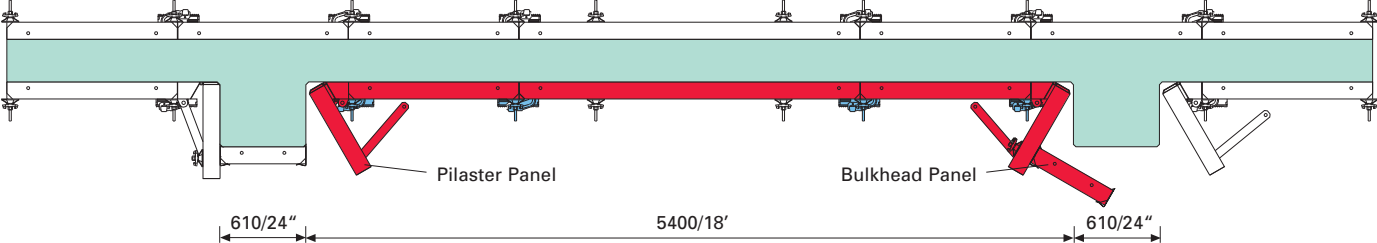
60/2'



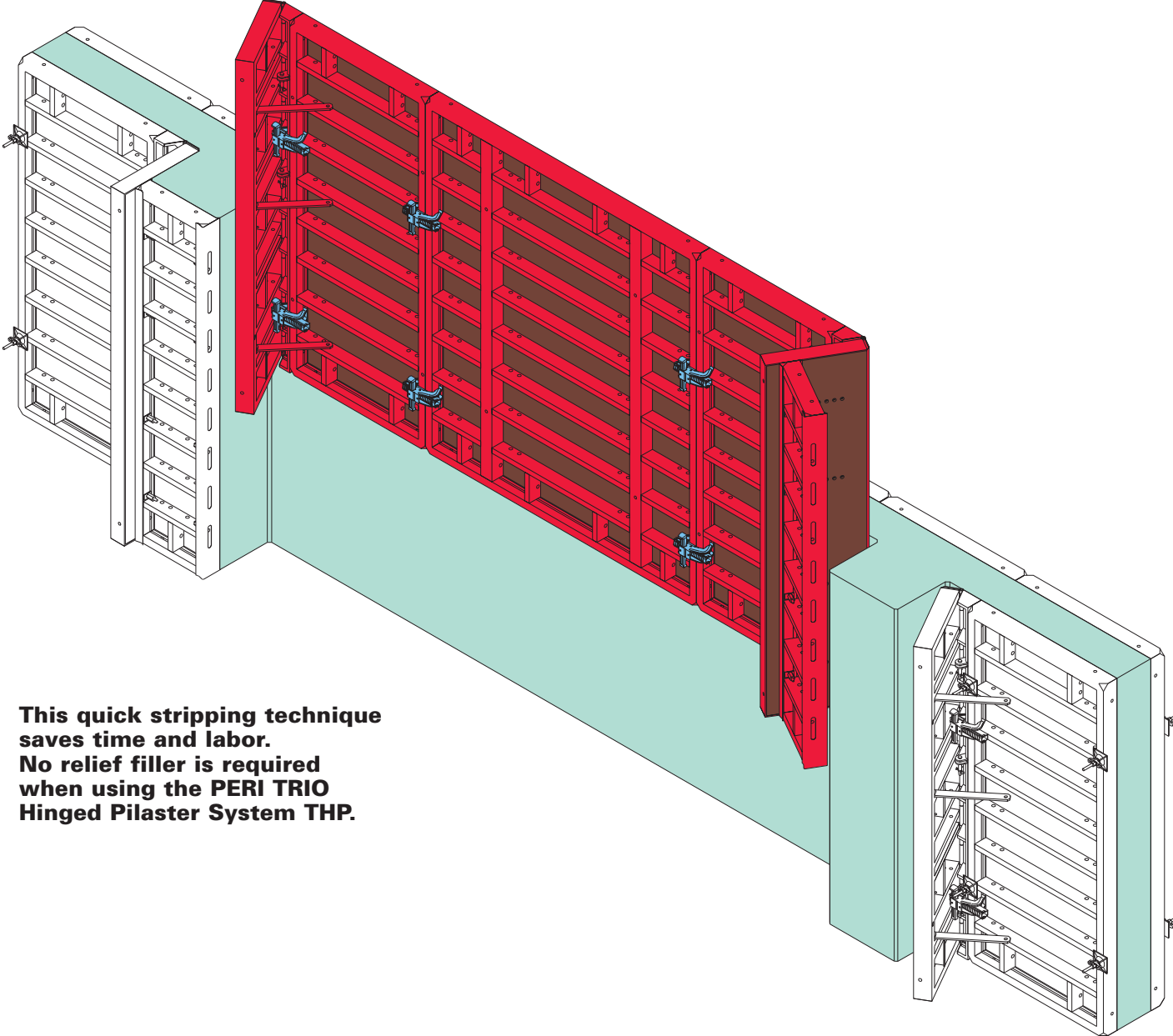
Bulkhead form using plywood, lumber 4"x 8" and steel waler SRZ.

Simple and quick forming of any pilaster

Typical plan



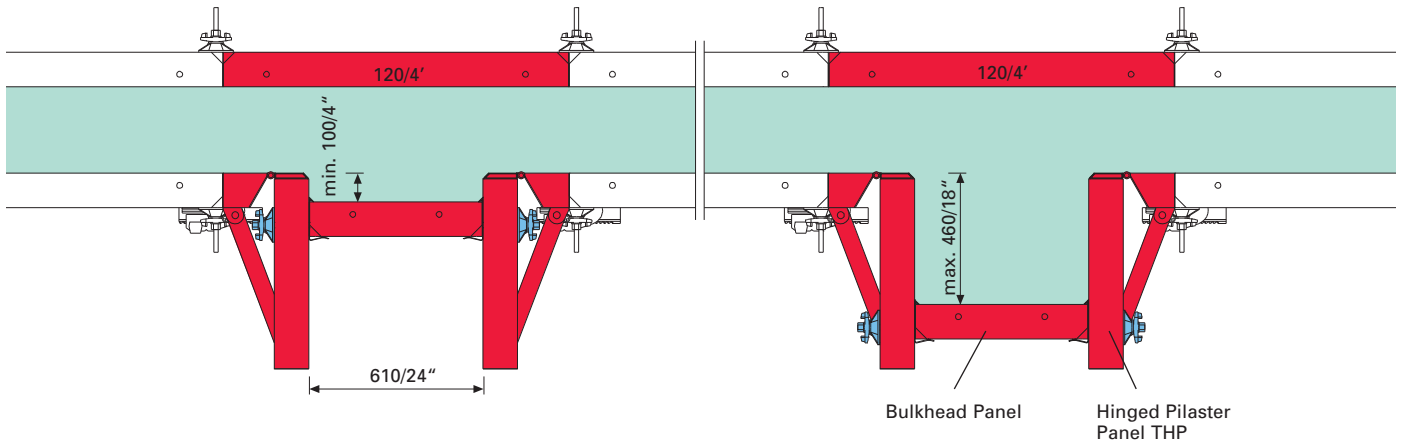
Complete units between two pilasters can be moved in one lift.



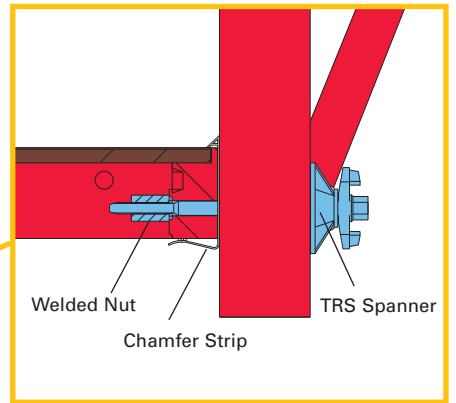
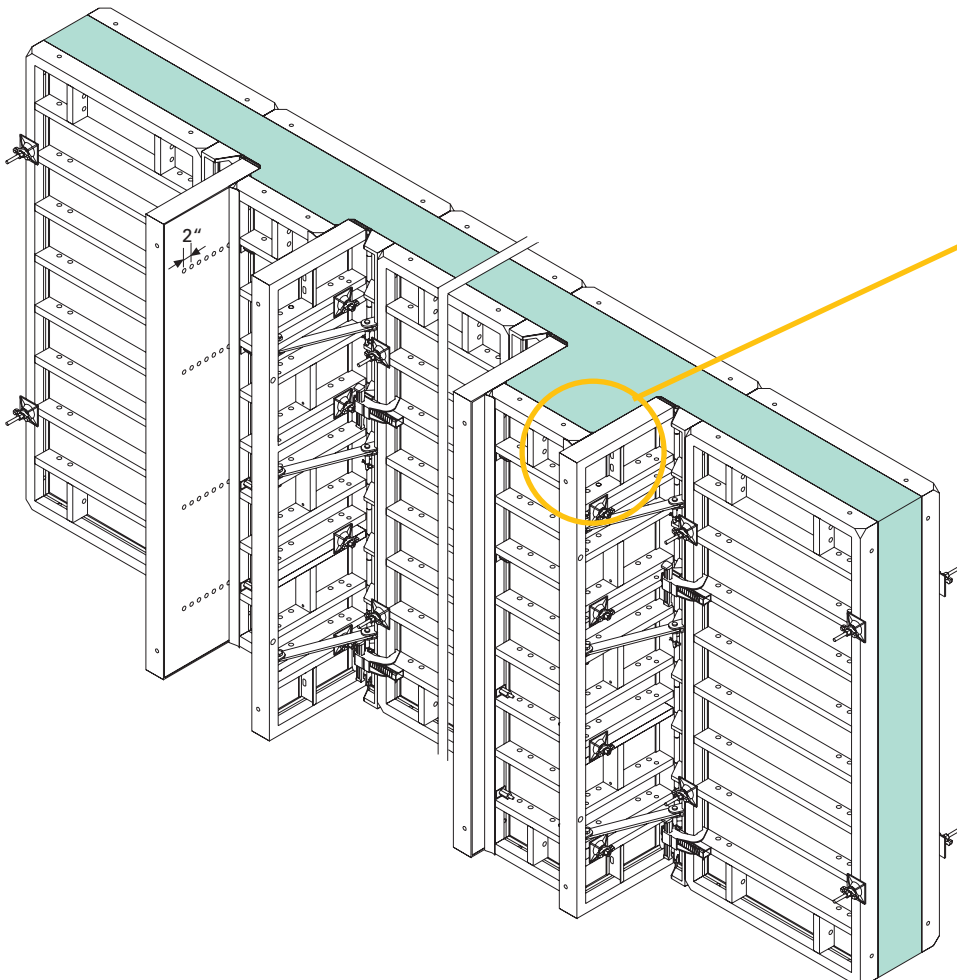
This quick stripping technique saves time and labor. No relief filler is required when using the PERI TRIO Hinged Pilaster System THP.

Pilaster with Standard Bulkhead Panel

Adjustable from 4" to 18" in 2" increments.



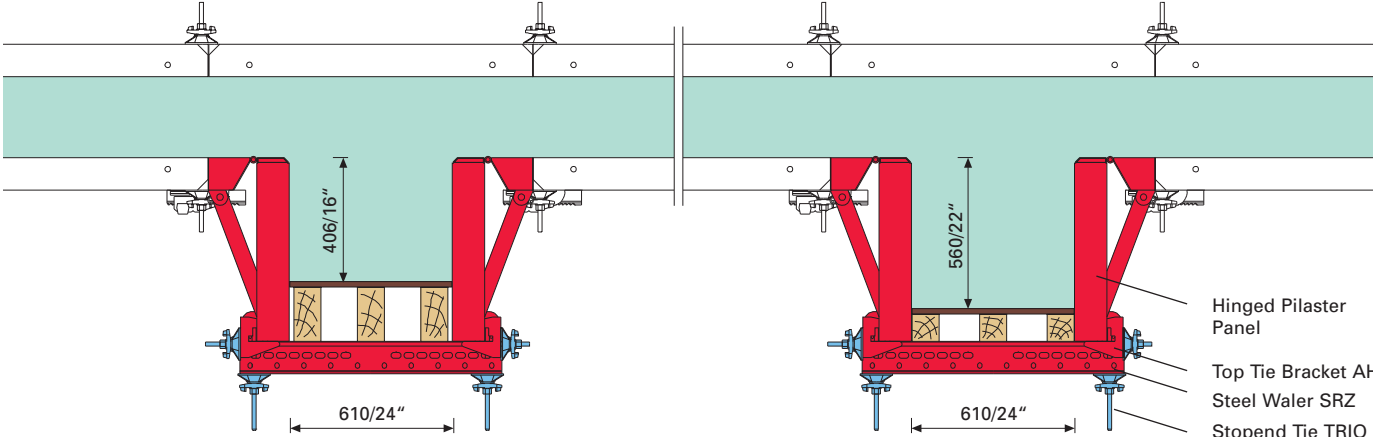
Corner Detail



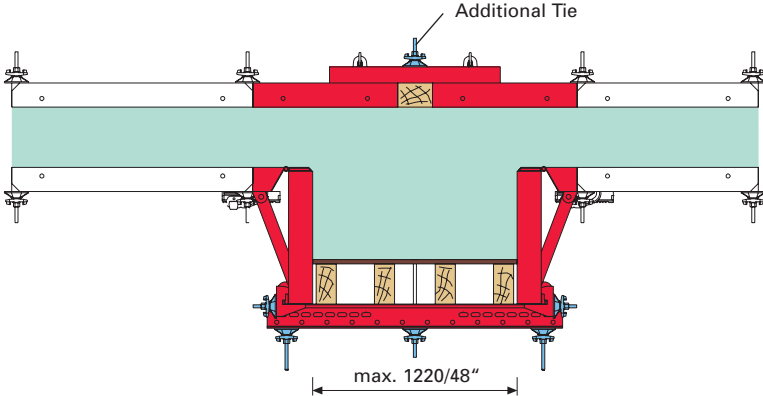
Only one piece (the TRS Tie DW 15) is required to secure panels together.

Pilaster with Conventional Bulkhead

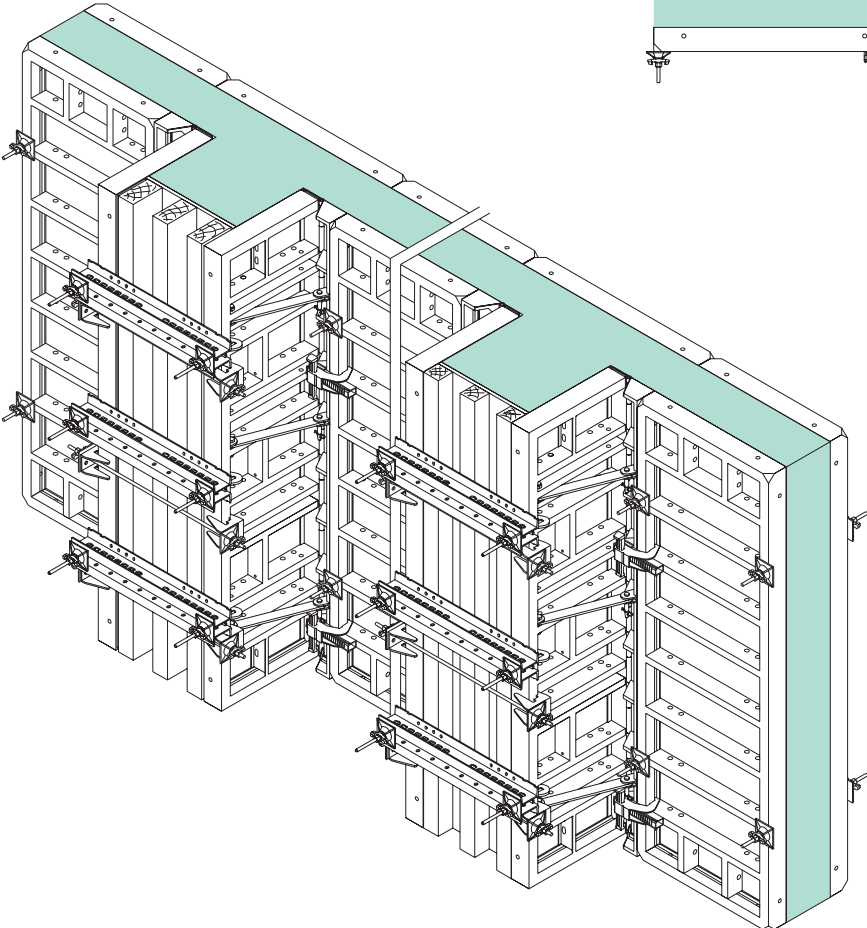
Adjustable for various sizes.



Pilaster wider than 24" requires additional ties.



With conventional lumber a maximum pilaster depth of 560 mm / 22" can be formed.



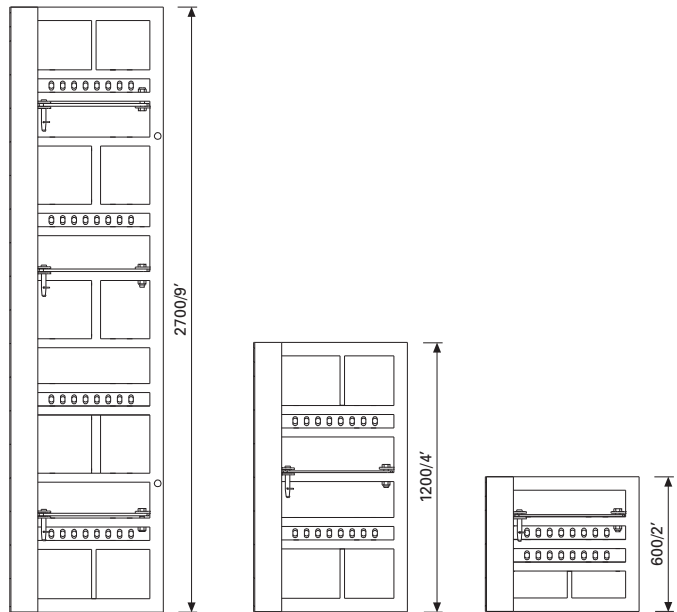
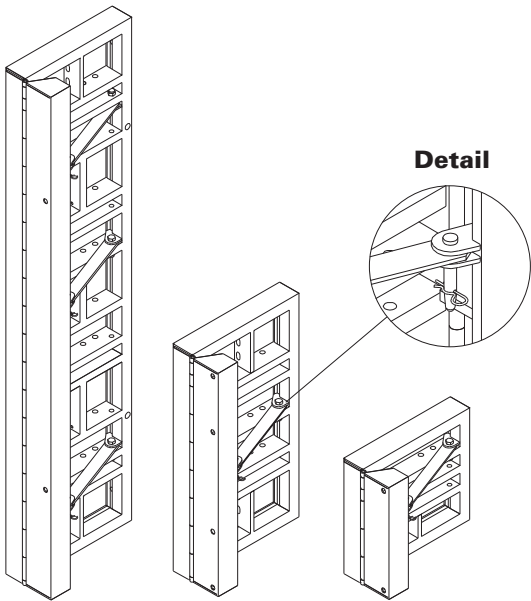
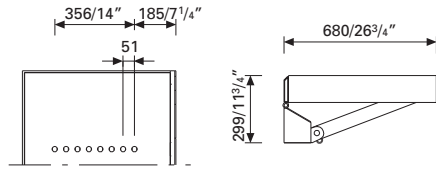
Weight lbs	Item no.
------------	----------

TRIO Hinged Pilaster Panel

Powder coated, red.

Panels with plywood Fin-Ply 18mm.

THP 270	359,00	105998
THP 120	156,00	106001
THP 60	110,00	105969

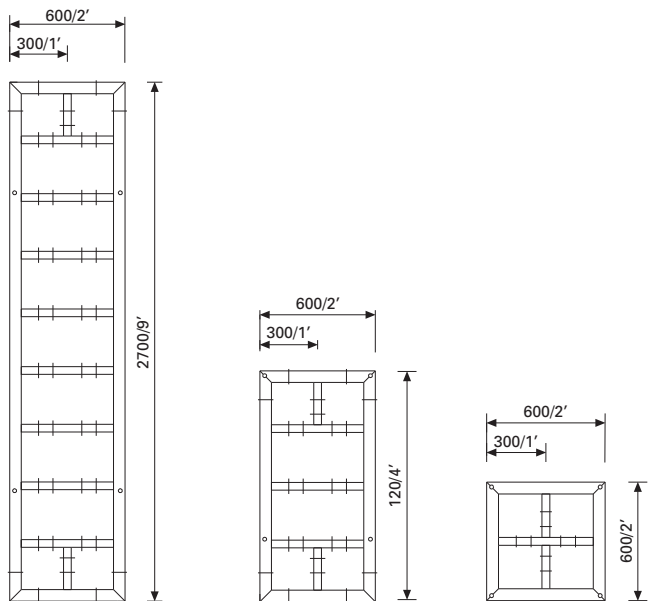
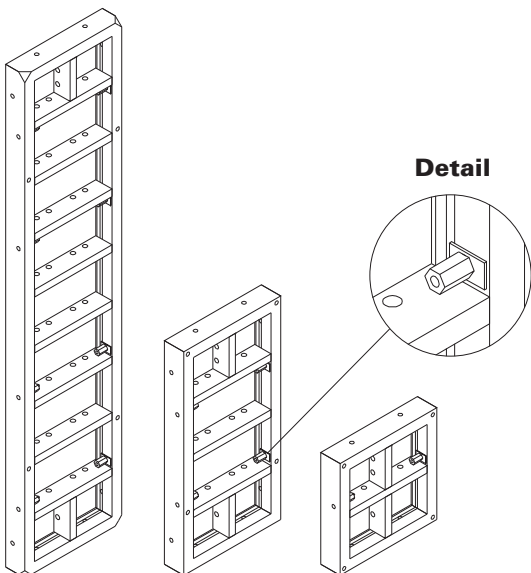



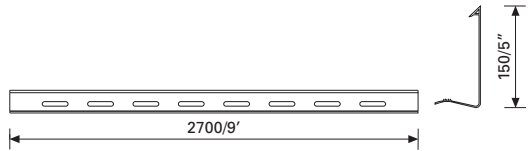
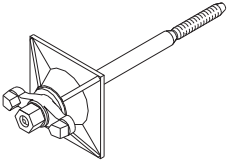
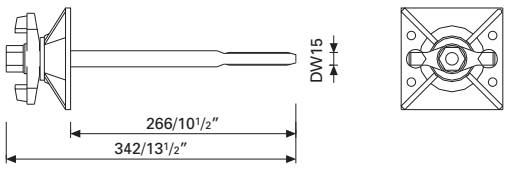

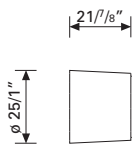
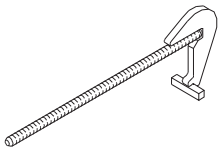
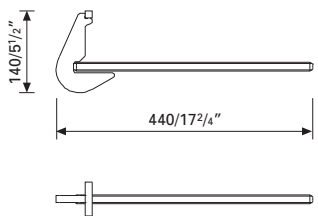
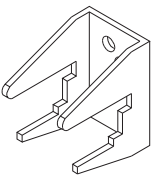
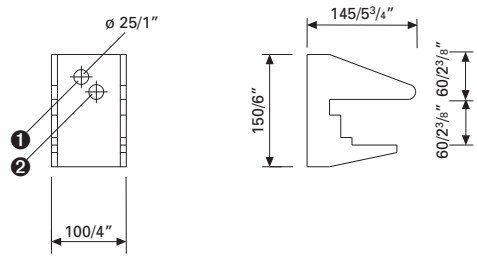
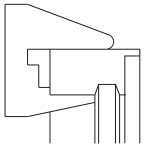
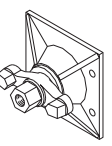
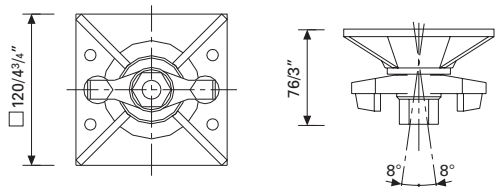
TRIO Hinged Pilaster Bulkhead Panel

Powder coated, red.

Panels with plywood Fin-Ply 18mm.

TR 270x60	197,00	105966
TR 120x60	90,00	105975
TR 60x60	54,50	105972



	Weight lbs	Item no.	
<p>Chamfer Strip 15/15 L = 2.70m For TRIO Column Formwork.</p> 	4,20	054240	
<p>TRS Tie DW15, galv.</p> 	4,94	103716	
<p>Plug ø 25mm TRS For TRIO TRS Column Panel. Fitted flush.</p> 	0,009	030320	
<p>Stopend Tie TRIO TS For transmitting force from stopends into panel frame.</p>  <p>Permissible Tension Force: 20kN.</p>	2,65	023640	
<p>Top Tie Bracket-2 AH, galv. For anchoring independantly of the panel grid, particularly in case of foundations and extensions.</p>  <p>Permissible tie force Hole ① = 15kN Hole ② = 30kN</p>	4,41	023630	 
<p>Wingnut Pivot Plate DW 15, galv. With pivoted, captive nut.</p>  <p>Permissible load to DIN 18216: 90kN</p>	3,31	030370	

The PERI Sales Engineers

Your Partners to help you find the most cost-effective Solution for your Jobsite



Corporate Offices

USA
PERI Baltimore
 7272 Park Circle Drive
 Suite 200
Hanover, MD 21076
 Phone: 410-712-7225
 Fax: 410-712-7080
 In the US call toll free:
Phone: 1-800-350-PERI

Offices and Distribution Centers

Southeast
PERI Florida
 10615 Rocket Blvd.
Orlando, FL 32824
 Phone: 407-438-9366
 Fax: 407-438-1494

New England
PERI Boston
 27 Cambridge Road
 Suite 100
Burlington, MA 01803-4616
 Phone: 781-221-1433
 Fax: 781-221-1436

Midwest
PERI Indianapolis
 1101 South Emerson
 Avenue
Indianapolis, IN 46203
 Phone: 317-353-8201
 Fax: 317-353-8249

PERI Plywood Division
Marcus Chase
 25 Garden Street
West Newbury, MA 01985-1716
 Phone: 978-465-3889
 Fax: 978-465-9889
 Mobil: 978) 590-3522
 m_chase@peri-usa.com

CANADA
PERI Toronto
 45 Nixon Road
Bolton, Ontario L7E 1K1
 Phone: 905-951-5400
 Fax: 905-951-5454
 In Canada call toll free:
Phone: 1-877-848-PERI

Western Canada
PERI Calgary
 7505 - 48th St. SE
Calgary, Alberta T2C 4C7
 Phone: 403-203-8112
 Fax: 403-203-8123

Northeast
PERI New York
 614 Corporate Way
 Suite 2
Valley Cottage, NY 10989
 Phone: 845-268-8660
 Fax: 845-268-8661

Midwest
PERI Chicago
 850 West Jackson Blvd.,
 Suite 260
Chicago, IL 60607
 Phone: 312-432-9930
 Fax: 312-432-9931
 In Chicago call toll free:
Phone: 1-800-750-PERI

South Central
PERI Fort Worth
 6212 Anglin Drive
Fort Worth, TX 76119-7539
 Phone: 817-413-0424
 Fax: 817-413-0425

Southwest
PERI California
 9 Executive Circle,
 Suite 220
Irvine, CA 92614
 Phone: 949-474-1930
 Fax: 949-474-0989

Northwest
PERI Woodland
 1475 Port Way
Woodland, WA 98674
 Phone: 360-225-1722
 Fax: 360-225-9982

www.peri.de